

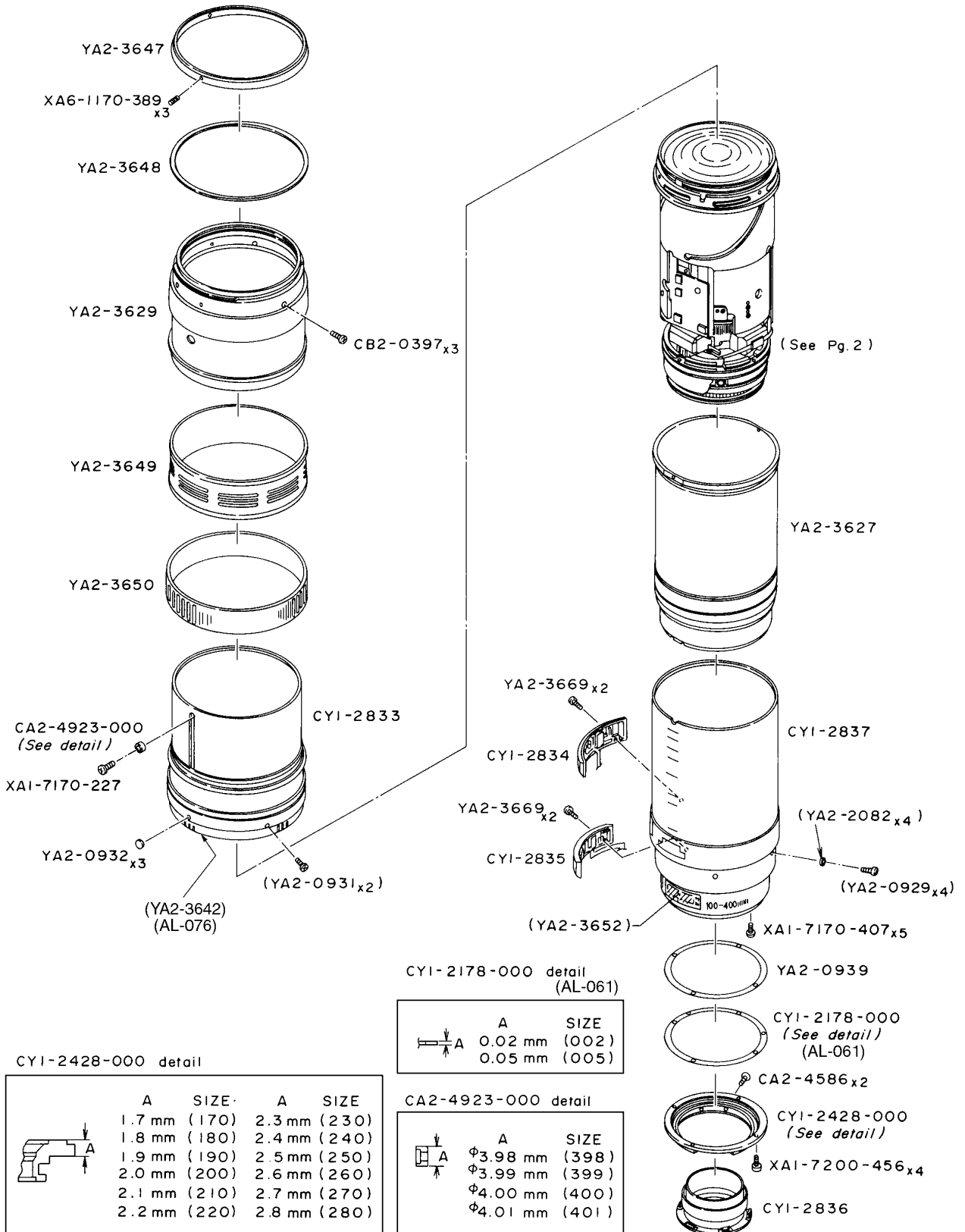
Canon

**EF 100-400mm 1:4.5-5.6L IS USM
REF.NO.C21-9961**

**PARTS
CATALOG**

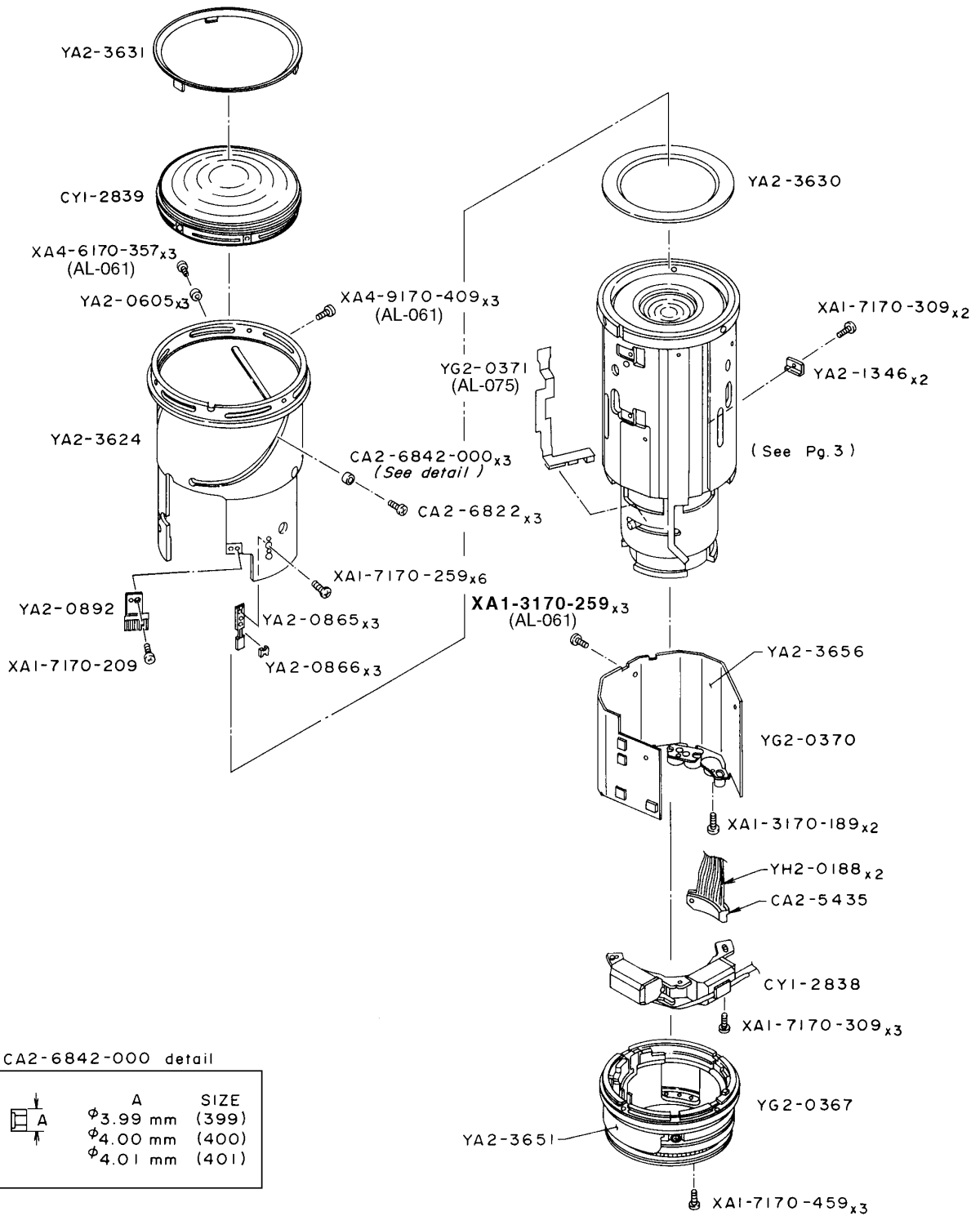
CANON LENS EF 100-400 mm 1:4.5-5.6L IS USM

REF. C21-9961



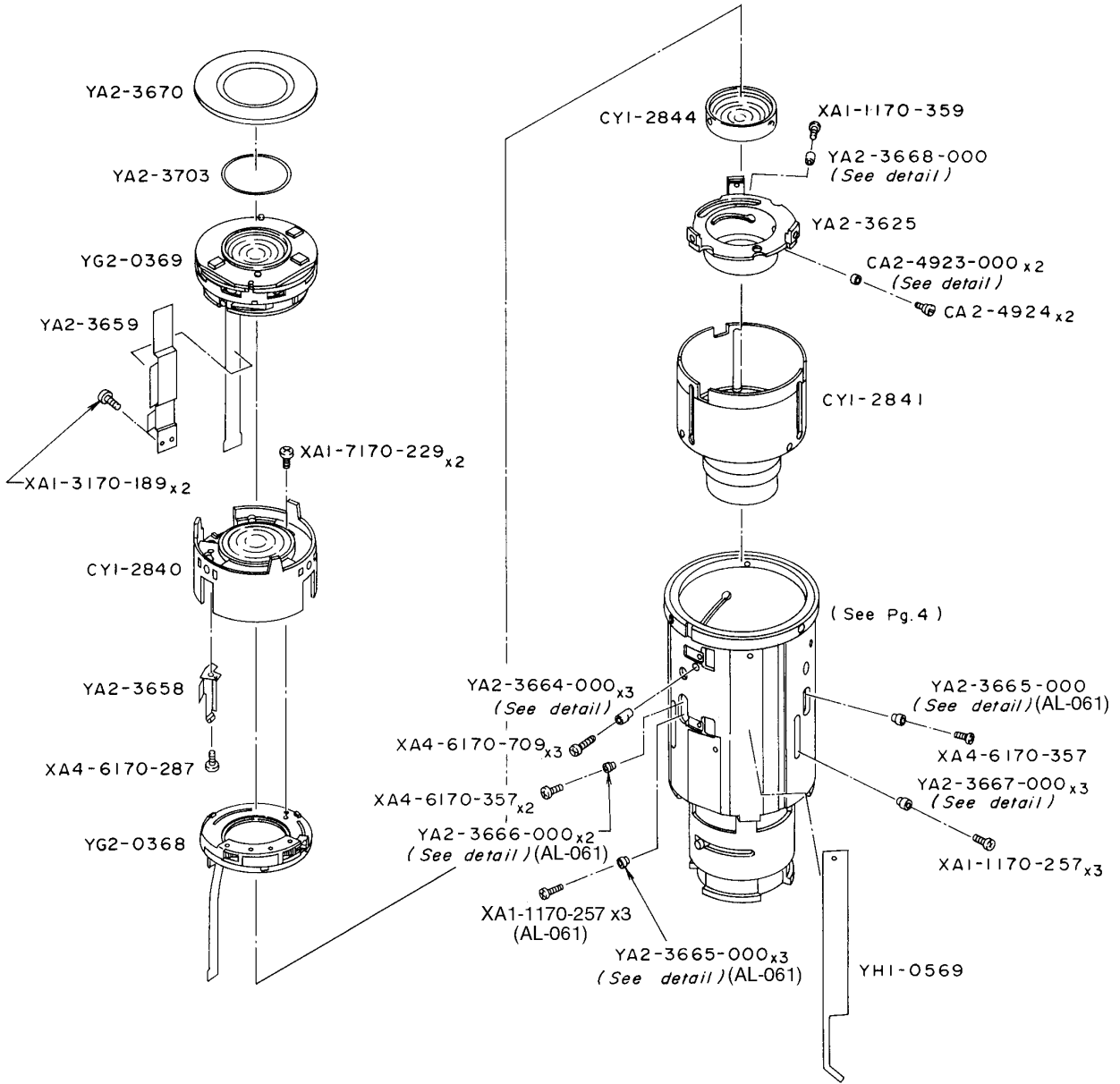
CANON LENS EF 100-400 mm 1:4.5-5.6L IS USM

REF. C21-9961



CANON LENS EF 100-400 mm 1:4.5-5.6L IS USM

REF. C21-9961



CA2-4923-000 detail

	A	SIZE
	Φ3.98 mm	(398)
	Φ3.99 mm	(399)
	Φ4.00 mm	(400)
	Φ4.01 mm	(401)

YA2-3664-000 detail

	A	SIZE
	Φ4.00 mm	(400)
	Φ4.01 mm	(401)
	Φ4.02 mm	(402)

YA2-3665-000 detail (AL-061)

	A	SIZE
	Φ4.00 mm	(400)
	Φ4.01 mm	(401)
	Φ4.02 mm	(402)

YA2-3666-000 detail (AL-061)

	A	SIZE
	Φ4.00 mm	(400)
	Φ4.01 mm	(401)
	Φ4.02 mm	(402)

YA2-3667-000 detail

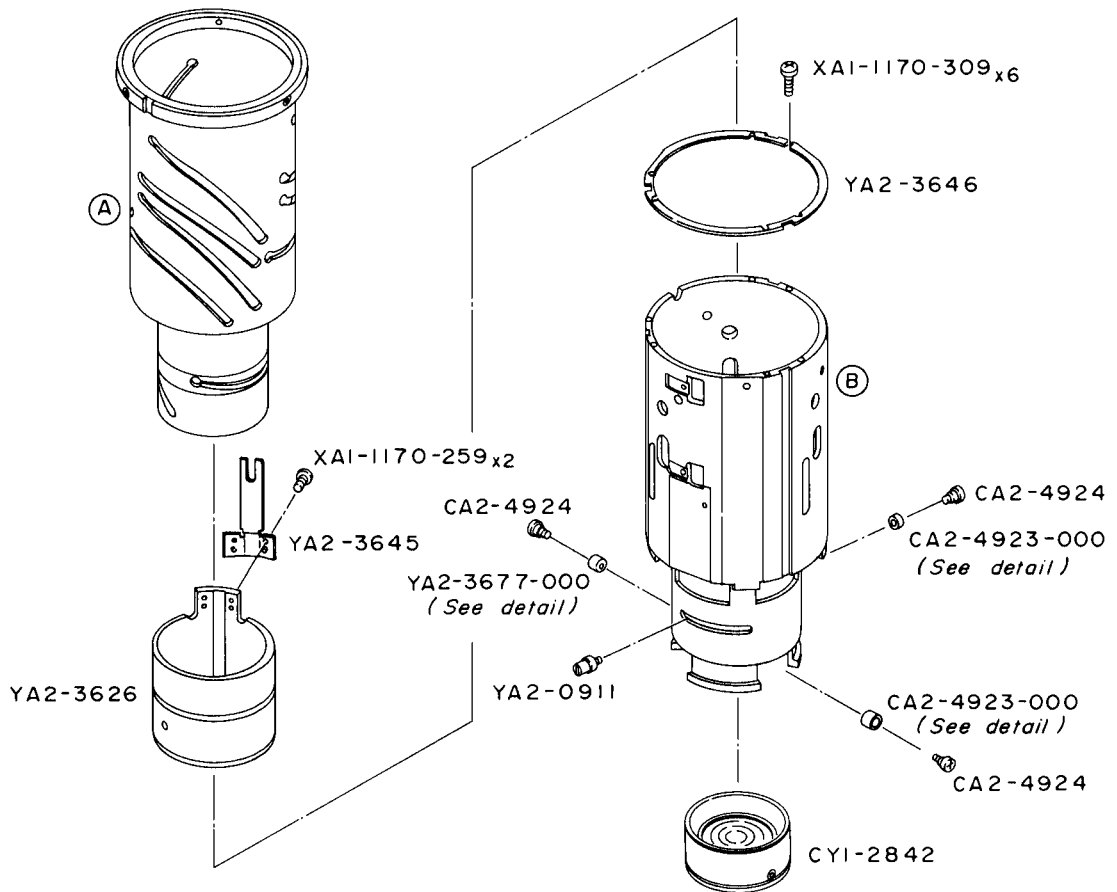
	A	SIZE
	Φ4.00 mm	(400)
	Φ4.01 mm	(401)
	Φ4.02 mm	(402)

YA2-3668-000 detail

	A	SIZE
	Φ3.99 mm	(399)
	Φ4.00 mm	(400)
	Φ4.01 mm	(401)

CANON LENS EF 100-400 mm 1:4.5-5.6L IS USM

REF. C21-9961



CA2-4923-000 detail

A	SIZE
$\phi 3.98$ mm (398)	
$\phi 3.99$ mm (399)	
$\phi 4.00$ mm (400)	
$\phi 4.01$ mm (401)	

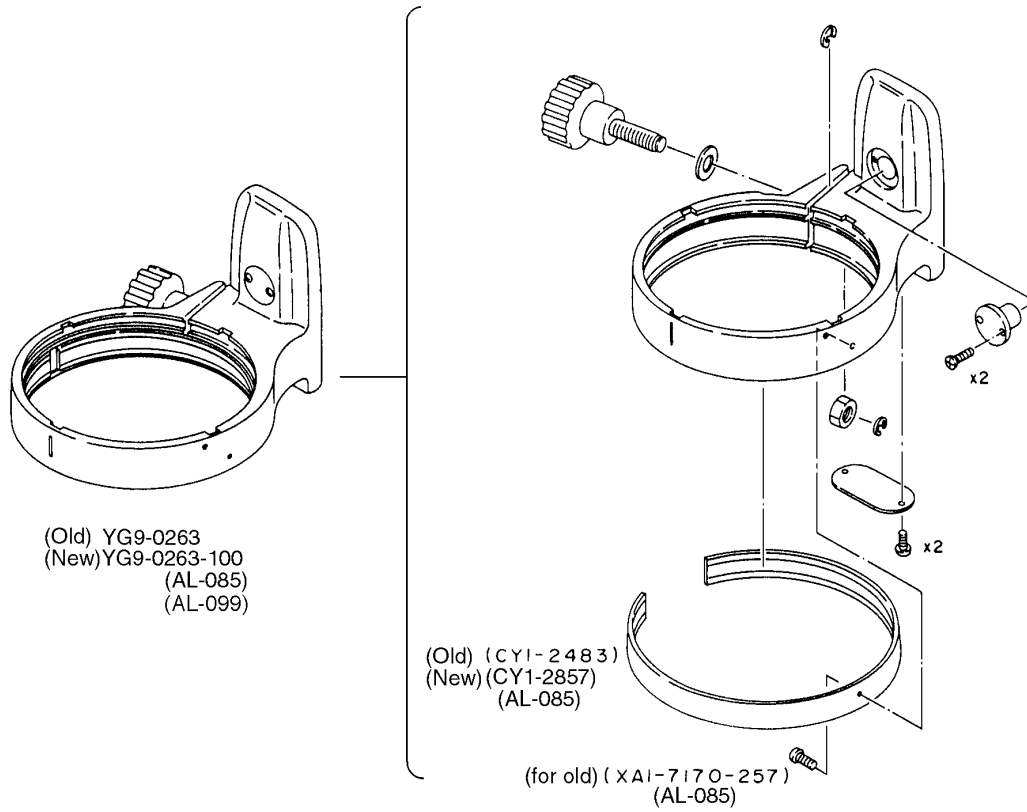
YA2-3677-000 detail

A	SIZE
$\phi 4.00$ mm (400)	
$\phi 4.01$ mm (401)	
$\phi 4.02$ mm (402)	

(A) } YG9-0616
(B) }

CANON LENS EF 100-400 mm 1:4.5-5.6L IS USM

REF. C21-9961



PARTS LIST

REF.No.C21-9961

NEW	PARTS NO.	CLASS	QTY	DESCRIPTION	PAGE
	CA2-4586-000		2	SCREW,	1
	CA2-4923-000(xxx)	D	5	COLLAR	1,3,4
	CA2-4924-000		5	SCREW,	3,4
	CA2-5435-000	C	1	CONTACT ASS'Y	2
	CA2-6822-000		3	SCREW,	2
	CA2-6842-000(xxx)	D	3	COLLAR	2
	CB2-0397-000		3	SCREW,	1
	CY1-2178-000(xxx)	E	N	WASHER, MOUNT	1
	CY1-2428-000(xxx)	C	1	MOUNT, LENS	1
	CY1-2483-000	E	1	BELT (Old)	5
	CY1-2833-000	C	1	FOCUS RING UNIT	1
	CY1-2834-000	C	1	IS SWITCH ASS'Y	1
	CY1-2835-000	C	1	A/M SWITCH ASS'Y	1
	CY1-2836-000	B	1	COVER, BACK	1
	CY1-2837-000	C	1	BARREL ASS'Y, FIXED	1
	CY1-2838-000	C	1	GYRO SENSOR UNIT	2
	CY1-2839-000	C	1	LENS ASS'Y, 1ST GROUP	2
	CY1-2840-000	D	1	LENS ASS'Y, 3RD GROUP	3
	CY1-2841-000	D	1	LENS ASS'Y, 5TH GROUP	3
	CY1-2842-000	D	1	LENS ASS'Y, 6TH GROUP	4
	CY1-2844-000	D	1	LENS ASS'Y, 4TH GROUP	3
	CY1-2857-000	E	1	BAND UNIT (New)	5
	XA1-1170-257		6	SCREW, CROSS-RECESS, PH	3
	XA1-1170-259		2	SCREW, CROSS-RECESS, PH	4
	XA1-1170-309		6	SCREW, CROSS-RECESS, PH	4
	XA1-1170-359		1	SCREW, CROSS-RECESS, PH	3
	XA1-3170-189		4	SCREW, CROSS-RECESS, PH	2,3
	XA1-3170-259		3	SCREW, CROSS-RECESS, PH	2
	XA1-7170-209		1	SCREW, CROSS-RECESS, PH	2
	XA1-7170-227		1	SCREW, CROSS-RECESS, PH	1
	XA1-7170-229		2	SCREW, CROSS-RECESS, PH	3
	XA1-7170-257		1	SCREW, CROSS-RECESS, PH (for old)	5
	XA1-7170-259		6	SCREW, CROSS-RECESS, PH	2
	XA1-7170-309		5	SCREW, CROSS-RECESS, PH	2
	XA1-7170-407		5	SCREW, CROSS-RECESS, PH	1
	XA1-7170-459		3	SCREW, CROSS-RECESS, PH	2
	XA1-7200-456		4	SCREW, CROSS-RECESS, PH	1
	XA4-6170-287		1	SCREW, CROSS-RECESS, PH	3
	XA4-6170-357		6	SCREW, CROSS-RECESS, PH	2,3
	XA4-6170-709		3	SCREW, CROSS-RECESS, PH	3
	XA4-9170-409		3	SCREW, CROSS-RECESS, PH	2
	XA6-1170-389		3	SETSCREW, SLOTTED, HLCP	1
	YA2-0605-000	D	3	COLLAR	2
	YA2-0865-000	D	3	KEY	2
	YA2-0866-000	D	3	SPACER	2

PARTS LIST

REF.No.C21-9961

NEW	PARTS NO.	CLASS	QTY	DESCRIPTION	PAGE
	YA2-0892-000	C	1	BRUSH, ZOOMING	2
	YA2-0911-000	D	1	PIN, FOCUSING	4
	YA2-0929-000		4	SCREW, CROSS-RECESS, PH	1
	YA2-0931-000		2	SCREW, CROSS-RECESS, PH	1
	YA2-0932-000	B	3	PIN, COVER	1
	YA2-0939-000	D	1	SPACER, MOUNT	1
	YA2-1346-000	D	2	KEY, ZOOMING STOPPER	2
	YA2-2082-000	D	4	COLLAR	1
	YA2-3624-000	D	1	BARREL, ZOOMING	2
	YA2-3625-000	D	1	BARREL, 4TH LENS CAM	3
	YA2-3626-000	D	1	BARREL, FOCUS	4
	YA2-3627-000	D	1	EXTENSION GUIDE, FOCUS	1
	YA2-3629-000	C	1	RING, ZOOMING	1
	YA2-3630-000	D	1	RING, LIGHT SHIELD	2
	YA2-3631-000	C	1	RING, FRONT	2
	YA2-3642-000	C	1	BAND, ZOOM	1
	YA2-3645-000	D	1	KEY, FOCUS	4
	YA2-3646-000	D	1	RING, ZOOM STOPPER	4
	YA2-3647-000	C	1	RING, NAME	1
	YA2-3648-000	D	1	RING, RED	1
	YA2-3649-000	D	1	RING, ZOOM RUBBER	1
	YA2-3650-000	D	1	RING, FOCUS RUBBER	1
	YA2-3651-000	D	1	SCALE, FOCUSING	2
	YA2-3652-000	C	1	WINDOW, SCALE	1
	YA2-3656-000	D	1	HOLDER, MAIN FPC	2
	YA2-3658-000	D	1	HOLDER, E-FLEX	3
	YA2-3659-000	D	1	HOLDER, I-FLEX	3
	YA2-3664-000(xxx)	D	3	COLLAR, ECCENTRIC	3
	YA2-3665-000(xxx)	D	4	COLLAR	3
	YA2-3666-000(xxx)	D	2	COLLAR, ECCENTRIC	3
	YA2-3667-000(xxx)	D	3	COLLAR	3
	YA2-3668-000(xxx)	D	1	COLLAR	3
	YA2-3669-000	D	4	SCREW, CROSS-RECESS, PH	1
	YA2-3670-000	D	1	RING, IS COVER	3
	YA2-3677-000(xxx)	D	1	COLLAR	4
	YA2-3703-000	D	1	SHEET, LIGHT SHIELD	3
	YG2-0367-000	C	1	FOCUSING UNIT	2
	YG2-0368-000	C	1	POWER DIAPHRAGM UNIT	3
	YG2-0369-000	C	1	IS LENS UNIT	3
	YG2-0370-000	C	1	FPC ASS'Y, MAIN	2
	YG2-0371-000	C	1	FPC ASS'Y, SUB	2
	YG9-0263-000	D	1	TRIPOD SOCKET UNIT (Old)	5
	YG9-0263-100	D	1	TRIPOD SOCKET UNIT (New)	5
	YG9-0616-000	D	1	BARREL ASS'Y, CAM/GUIDE	4
	YH1-0569-000	D	1	FPC, ZOOM	3
	YH2-0188-000	D	2	CABLE, FLAT	2

CANON LENS EF 100-400 mm 1:4.5-5.6L IS USM

REF. C21-9961

